

The construction sector is facing a “perfect storm”

# Construction Industry

Facts and evolution

Expected to grow 15.5 Trillion by 2030

14% of the worldwide GDP

40% of Global Energy related CO2 emissions

41% of the US workforce expected to retire by 2031

\$265 Billion USD annual profit pool awaits disrupters

45% of value pools are expected to shift and impact value chain

Up to a 25% of material transported to a building site leaves as waste

Construction needs to become more flexible, sustainable, efficient and accessible

***‘A customer can have a car painted any color as long as its black.’***

**Henry Ford**



**1913:**  
Ford Motor Company first  
moving assembly line



**108 years later:**  
Ford F150 modern assembly  
line of today

## Automation for construction requires a paradigm shift!

- Space optimization
- Usage
- Aesthetics
- Materials
- Structural engineering



# How we support transformation in the construction industry today

## On-site automation

### Masonry walls

NCCR Digital Fabrication



### Walk paths and Sidewalks

ODICO



### Drilling

ULC Technologies



### Installation of Elevators

Schindler Elevators



R I S E



Schindler

# How we support transformation in the construction industry today

## Off-site automation

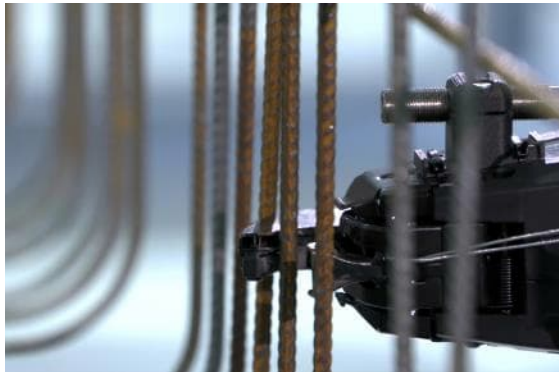
### Assembly of modules

Autovoll



### Structural

SKANSKA



### Diverse

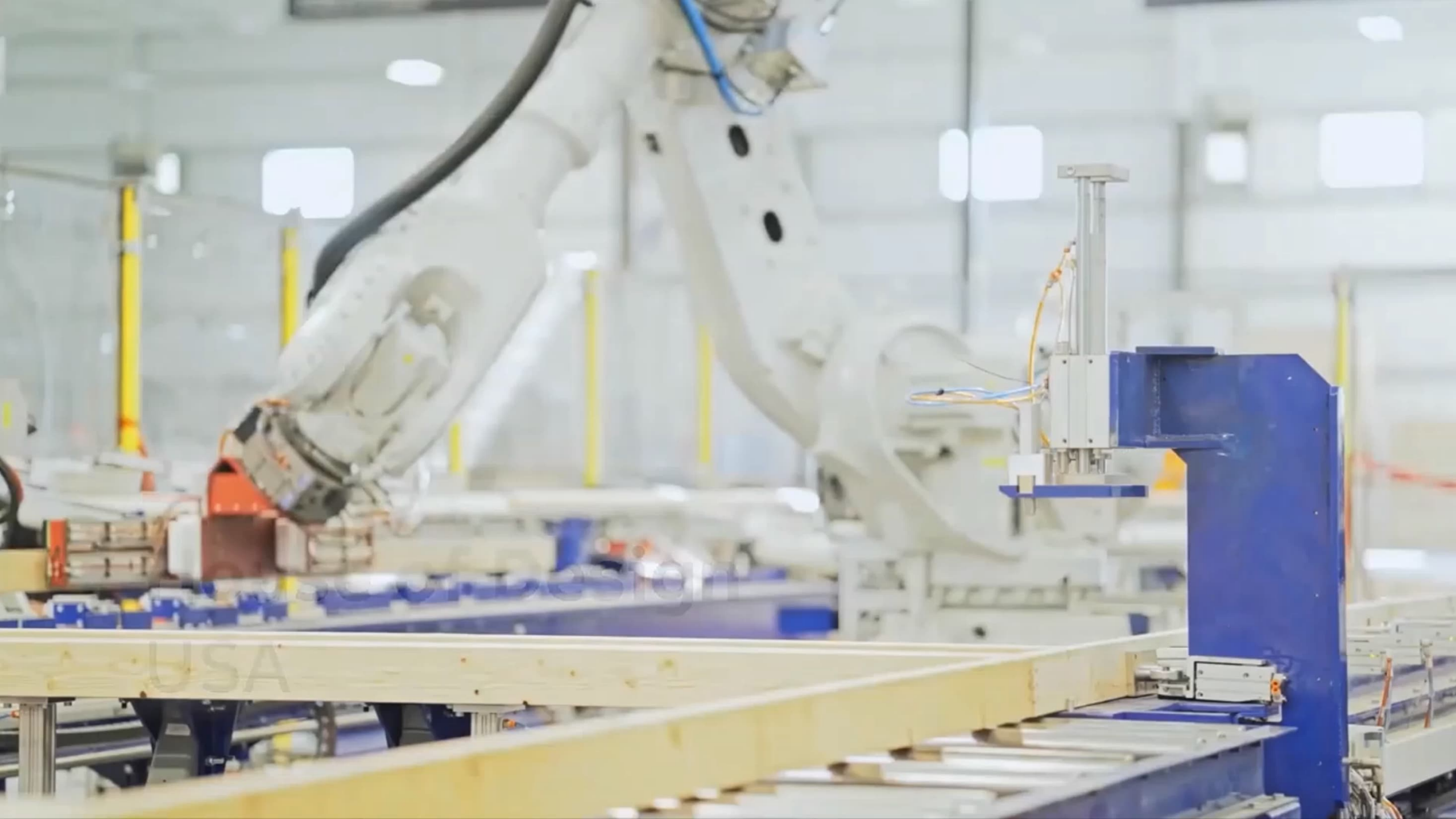
IndexLab



### Additive Manufacturing

Weber – Saint Gobain



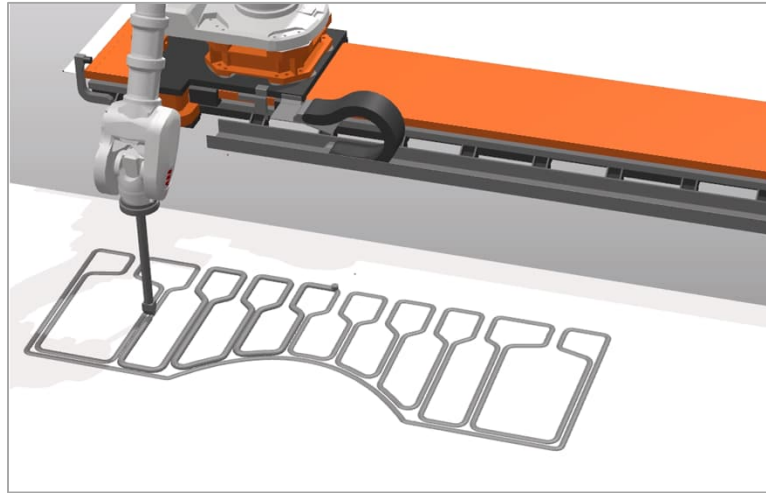
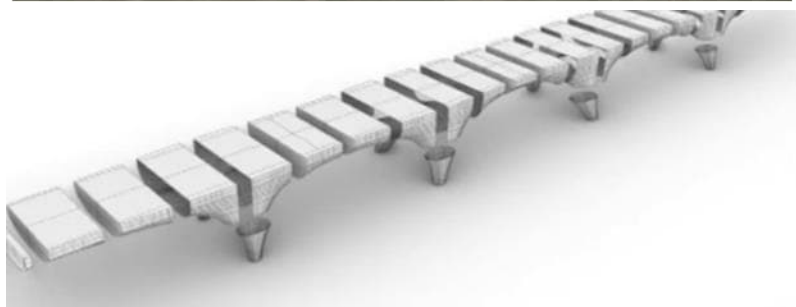


USA



# Success story, BAM + (SG) Weber Beamix

Rapid manufacturing of large products with optimal ease of use through Robotstudio + 3DP-Powerpac.





[Alfredo.diez-hochleitner@es.abb.com](mailto:Alfredo.diez-hochleitner@es.abb.com)

(+34) 606 97 25 25